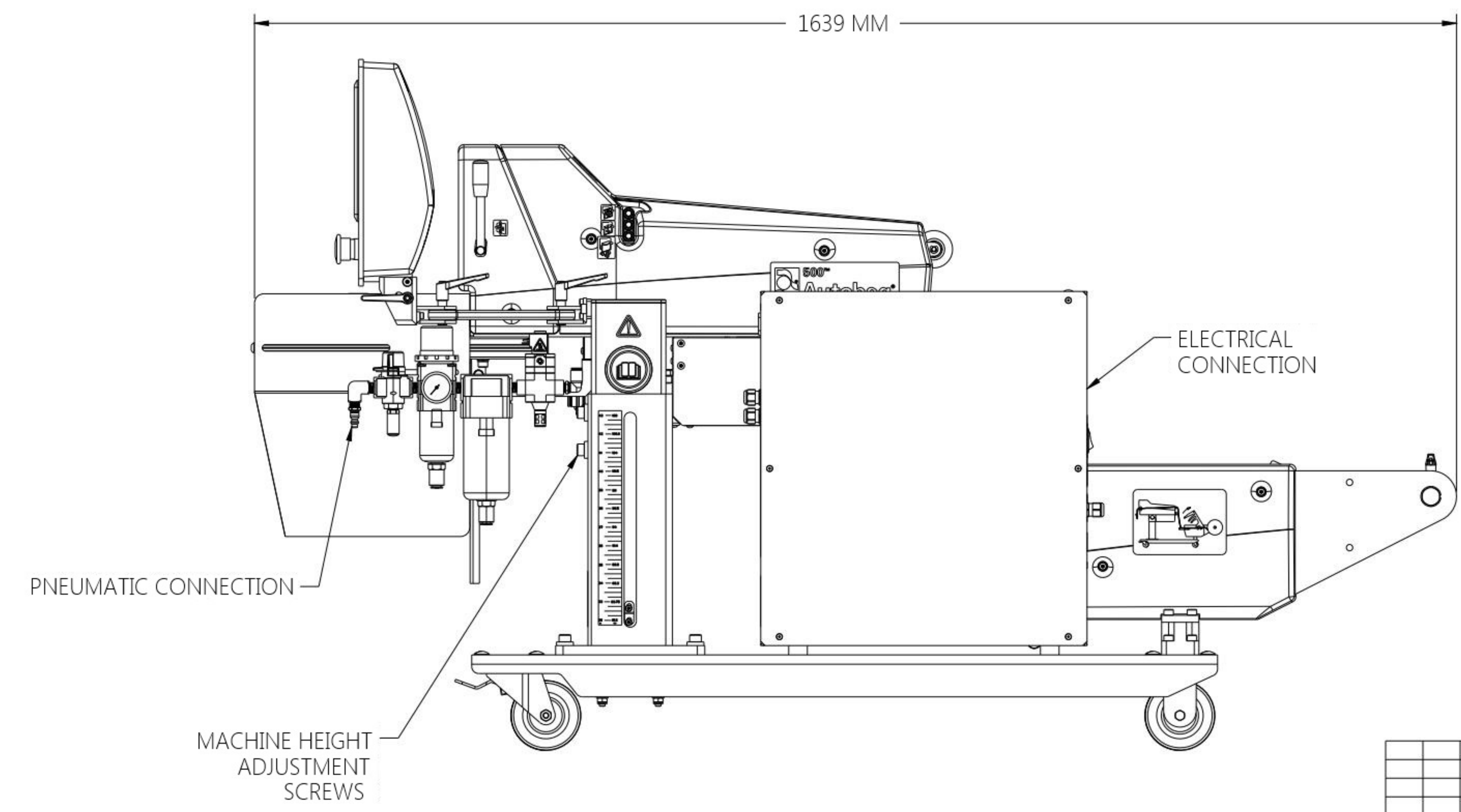
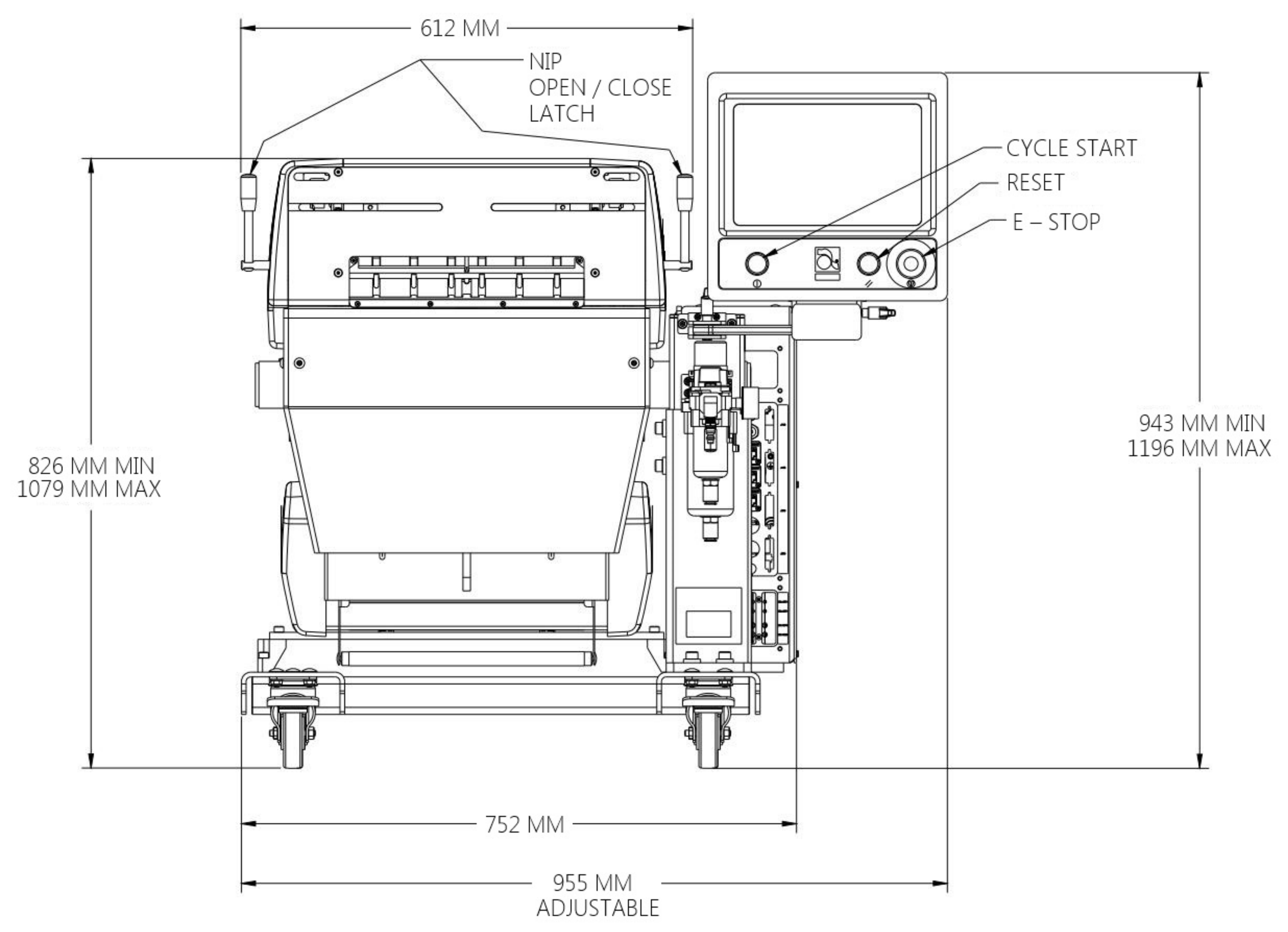
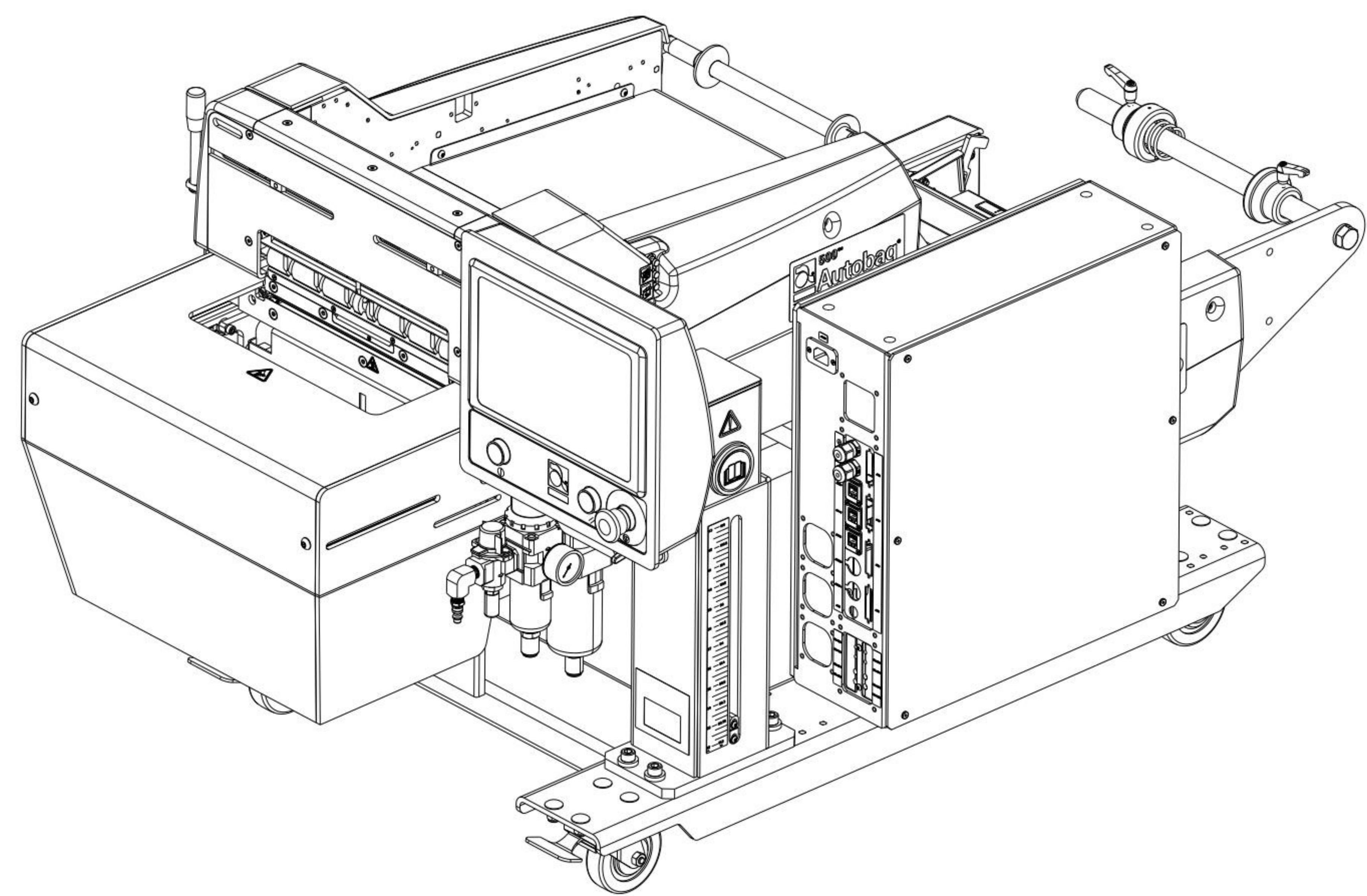
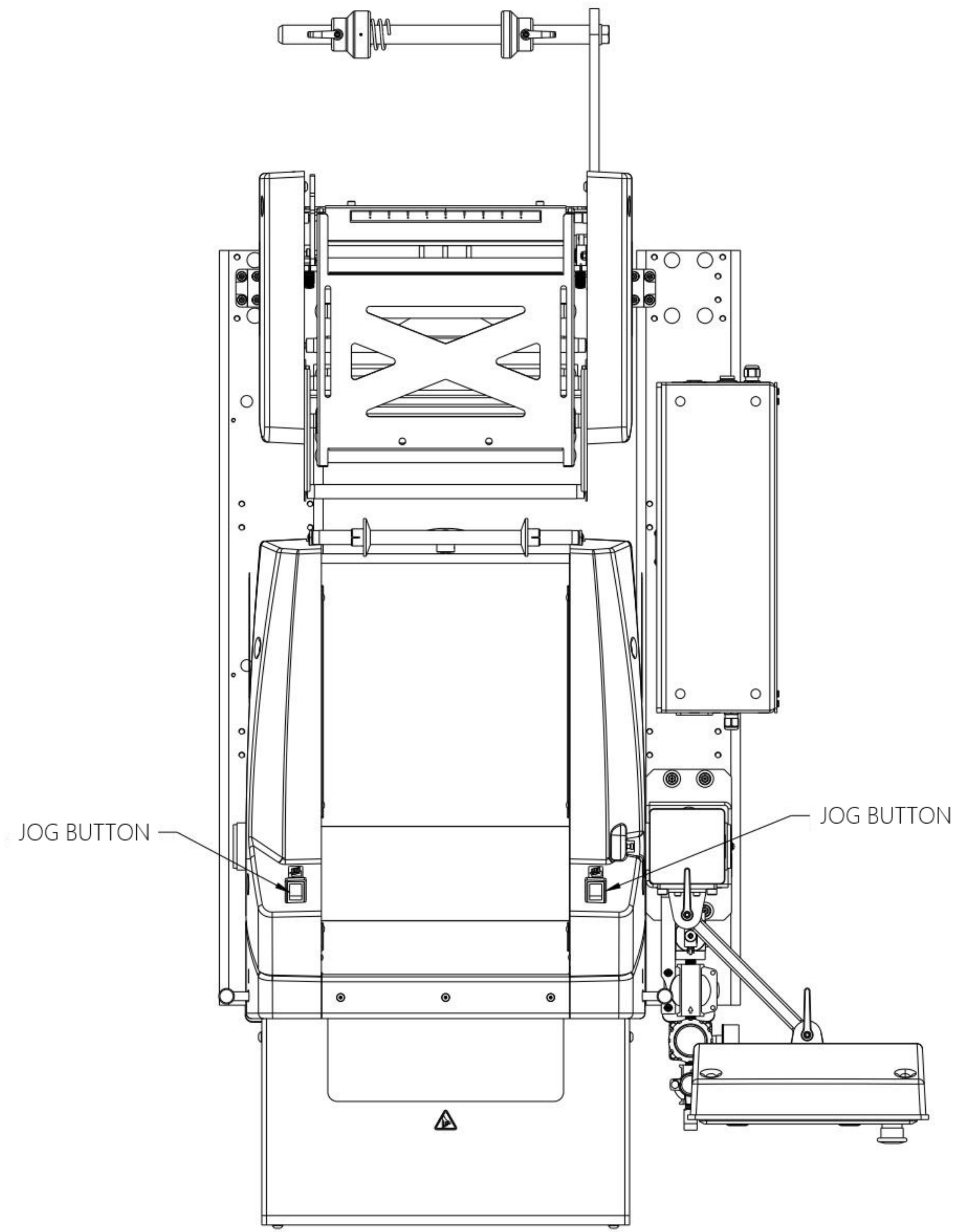


SPECIFICATIONS

WEIGHT	158.6 KG (350 LBS)
ELECTRICAL	UNIVERSAL INPUT, 100V TO 240V VAC, 50/60 Hz POWER CONSUMPTION: 1500W (VA) MAX
AIR FEED	5 CFM/80 PSI OF CLEAN, DRY AIR
PASS - THROUGH	UP TO 127 MM (5")
BAG THICKNESS	27 µM - 100 µM (1.09 - 4.0 MIL)
BAG SIZES	WIDTH: 50MM - 300 MM / LENGTH 75 MM - 500 MM
WEIGHT CAPACITY	UP TO 2.25 KG (5 LBS) WITH LOAD SHELF



Fabricated & Documented to be RoHS Compliant

REV	BY	DATE	ECN	RELEASED	DESCRIPTION
A	DMF	10-4-16	463	RELEASED	

FINISH	NONE
MATERIAL	SEE B/M
MACHINE SURFACES TO BE NO GREATER THAN 125 13.21 ✓ PULL BUST NO FILED OF BURNS AND SHARP EDGES	
FINISHING	FINISH
1 PLACE BANG	11.1 45.5
2 PLACE BANG	1.05 45.51
3 PLACE BANG	1.12 45.19
4 PLACE BANG	1.17 45.19

REV	BY	DATE	ECN	RELEASED	DESCRIPTION
E	DMF	10-4-16			

Automated PACKAGING SYSTEMS
16175 PHILIPP PARKWAY - STREETSBORO, OH 44221

DRAWING SIZE: SCALE: DRAWN BY: DATE: 10-4-16

FOOTPRINT: AB 500

FP229