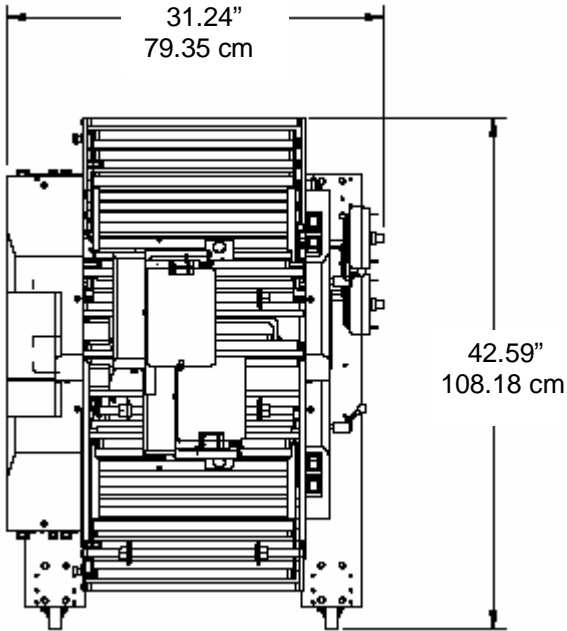
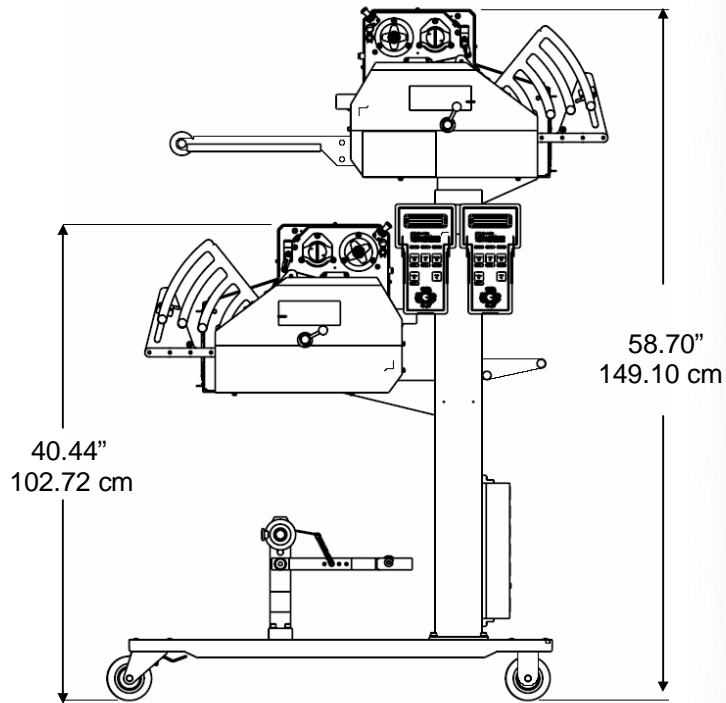
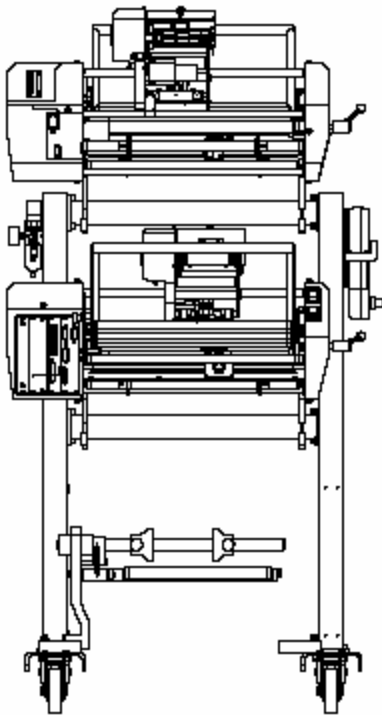


Footprint Drawing



PI 412cw Prism™ with Stand



m a c h i n e s m a t e r i a l s s e r v i c e

s y s t e m s a d v a n t a g e