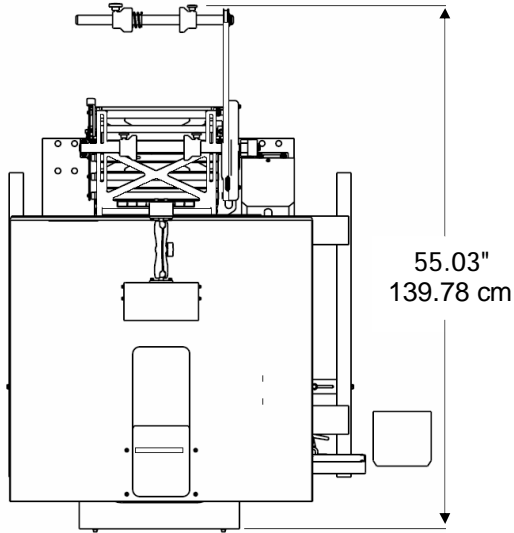
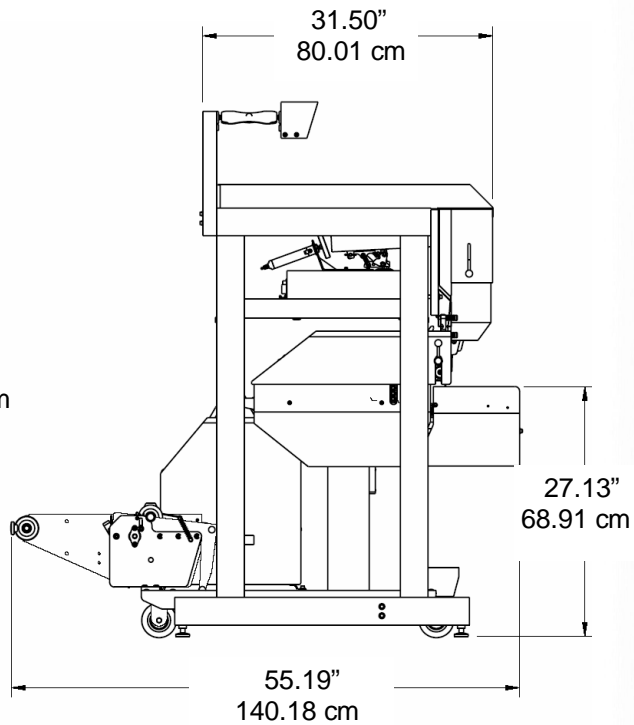
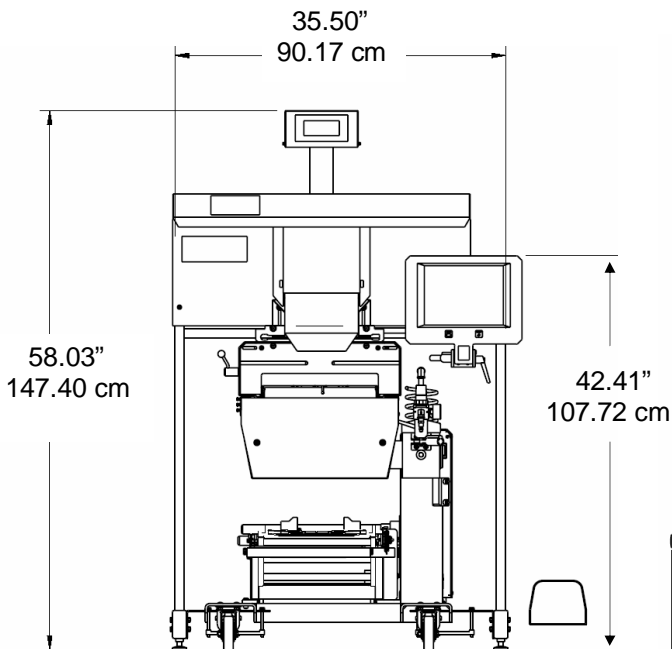


Footprint Drawing



AB 180 & Accu-Scale® 220



machines
materials
service

systems advantage